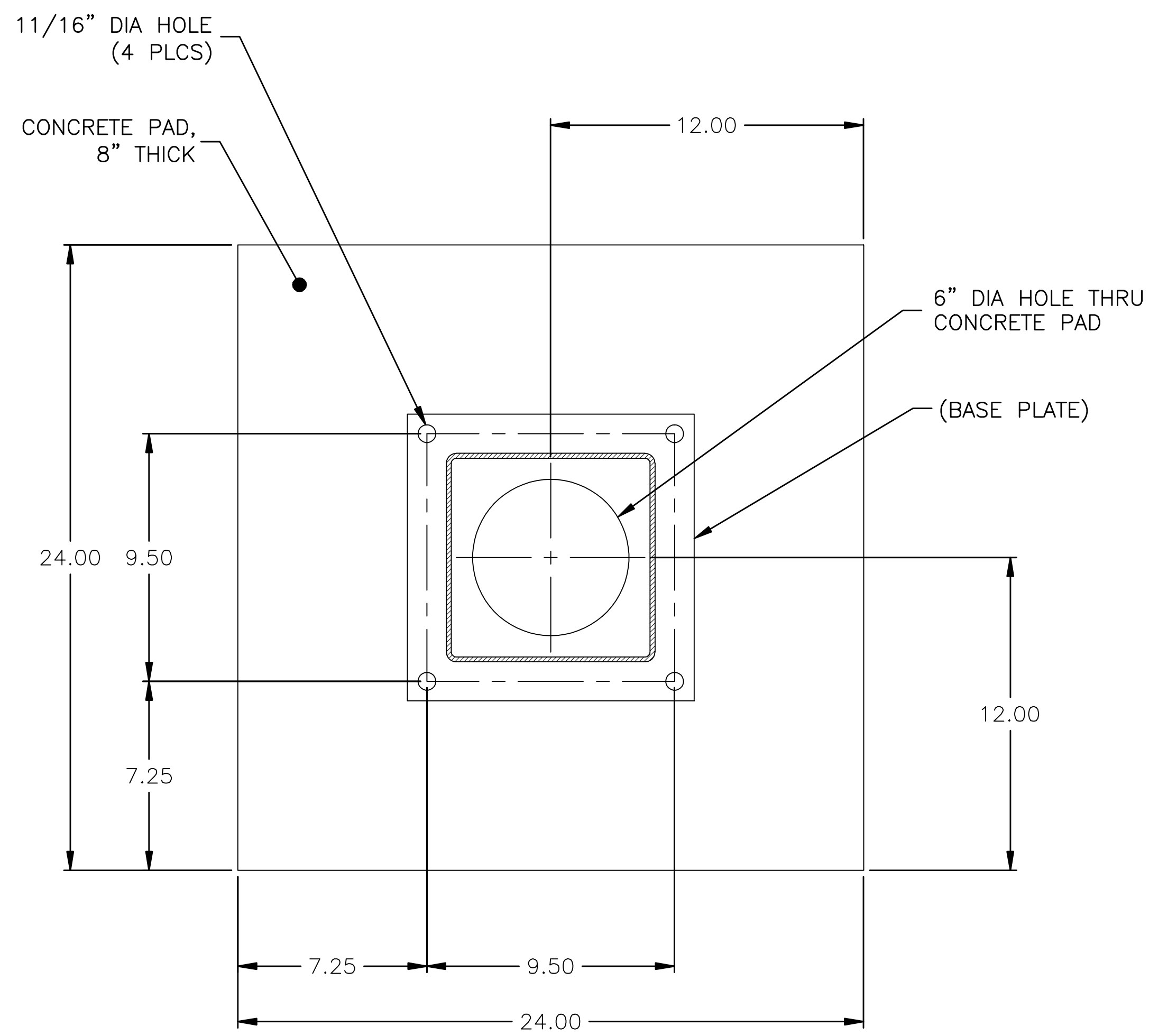
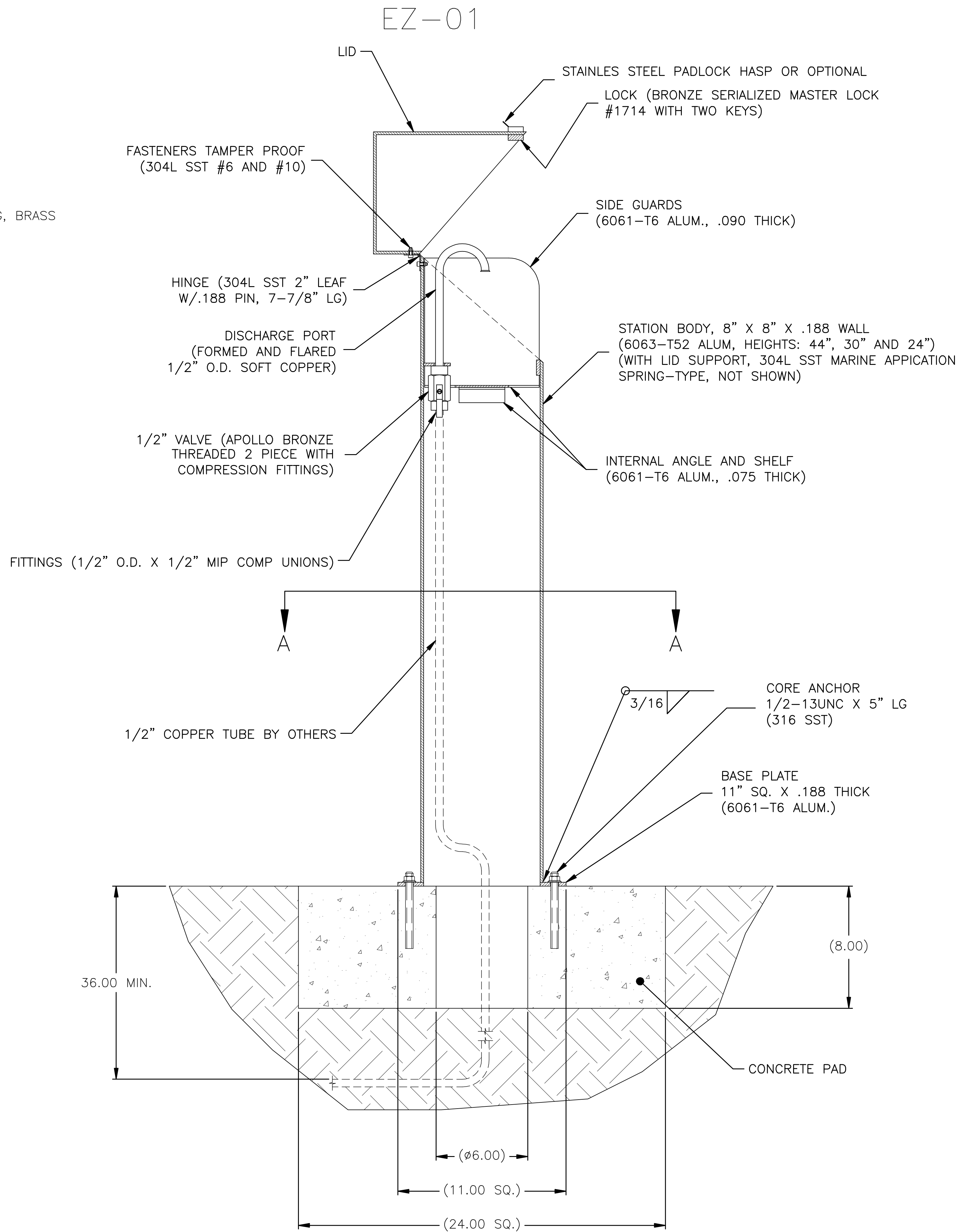


1" FLUSH VALVE ASSEMBLY
 MODEL EZ-01F



SECTION "A-A"



General Notes

UNLESS OTHERWISE SPECIFIED:
 DIMENSIONS ARE IN INCHES

TOLERANCES
 .XX ± .03 FRACTION ± 1/16
 .XXX ± .010 ANG ± 0°-30'
 BREAK SHARP EDGES TO R.010
 INTERPRET PER ANSI Y14.5M
 STEEL WELDING PER AWS D1.1-94
 ALUMINUM WELDING PER AWS D1.2-94
 MACHINE FINISH 125/ OR BETTER

No.	Revision/Issue	Date
C	UPDATED	10/25/12
B	ADDED 1" FLUSH VALVE ASSEMBLY	3/3/03
A	PRODUCTION RELEASE	12/15/02

Contractor
AMERICAN MACHINE & CONVEYOR CORP.
 4835 COLT STREET UNIT A
 VENTURA, CA 93003
 TEL: (805) 642-9924 FAX: (805) 642-9925
 www.american-mc.com

Title
EZ WATER SAMPLING STATION

"EZ" WATER SAMPLE STATION SPECIFICATION DRAWING

Model	98-983	Drawing No.	EZ-01F
Date	3/3/03		
Scale	1/4"=1' 0"		