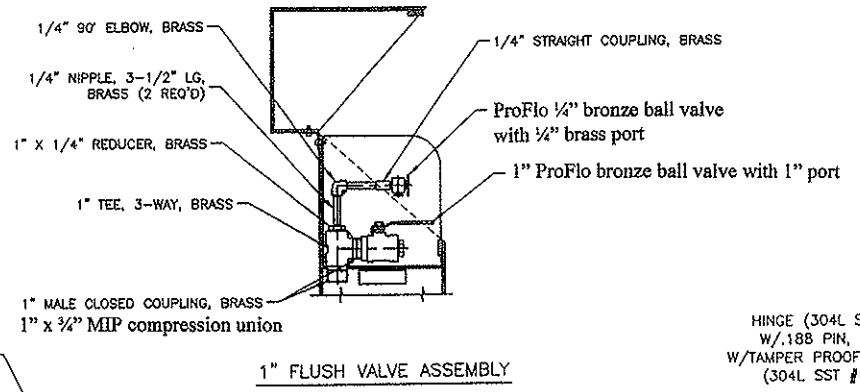
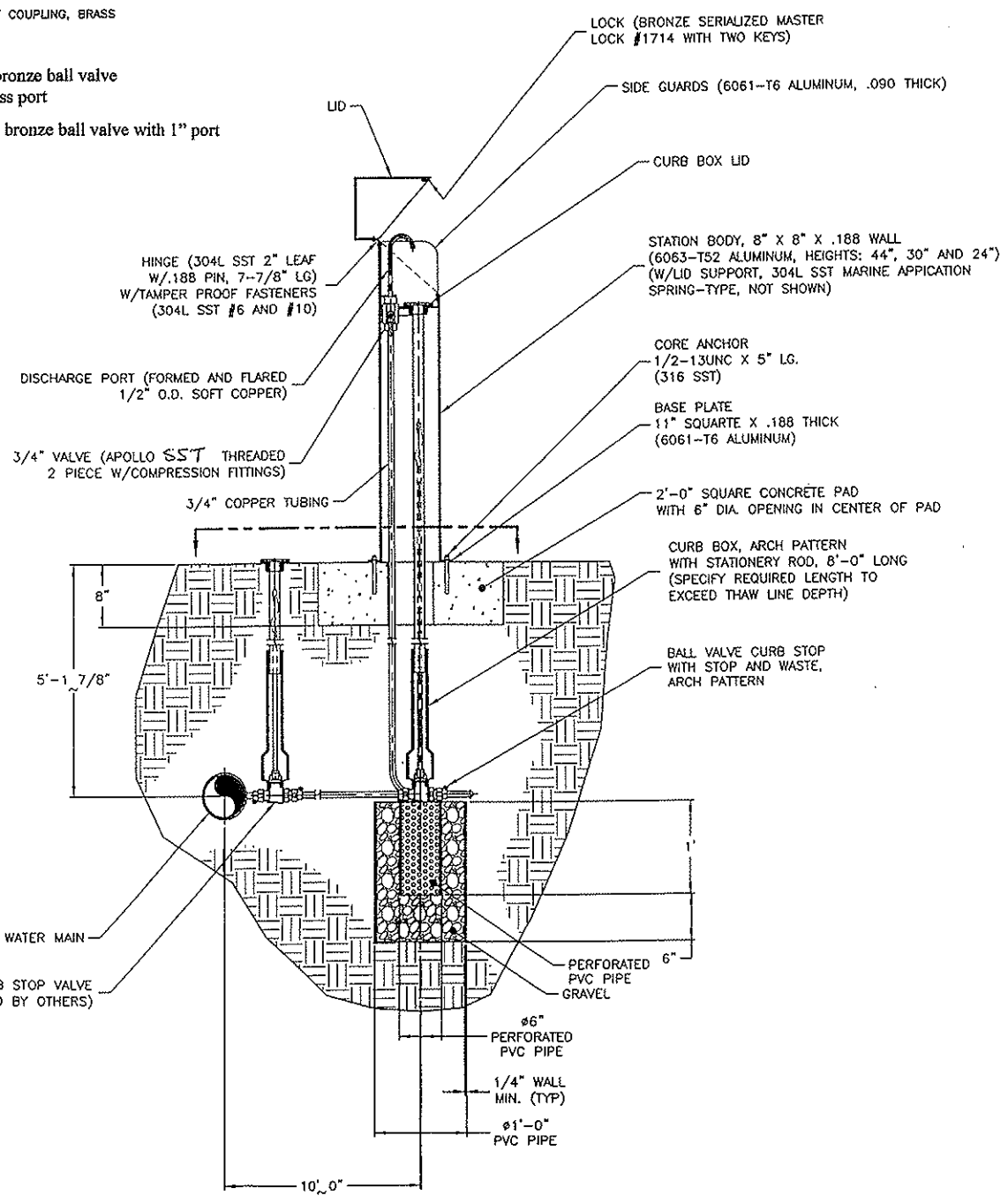


SECTION "A-A"  
SCALE: 1/4



1" FLUSH VALVE ASSEMBLY



**General Notes**

UNLESS OTHERWISE SPECIFIED:  
DIMENSIONS ARE IN INCHES

TOLERANCES  
XX ± .03 FRAC ± 1/16  
XXX ± .010 ANG ± 0°-30'  
BREAK SHARP EDGES TO R.010  
INTERPRET PER AWS D11.54  
STEEL WELDING PER AWS D1.1-94  
ALUMINUM WELDING PER AWS D1.2-94  
MACHINE FINISH  $\nabla$  OR BETTER

No.	Revision/Issue	Date
A	PRODUCTION RELEASE	4/28/03

Contractor  
**AMERICAN MACHINE & CONVEYOR CORP.**  
2550 EASTMAN AVENUE #8  
VENTURA, CA 93003  
TEL: (805) 644-9437 FAX: (805) 644-5511  
www.americamc.com

Title  
**EZ WATER SAMPLING STATION**

"CWEZ" WATER SAMPLE STATION SPECIFICATION DRAWING

Sheet	Drawing No.
98-983	<b>EZ-02</b>
Date	
4/28/03	
Scale	1/8

CWEZ98-983A.DWG 4/28/03 HTM